

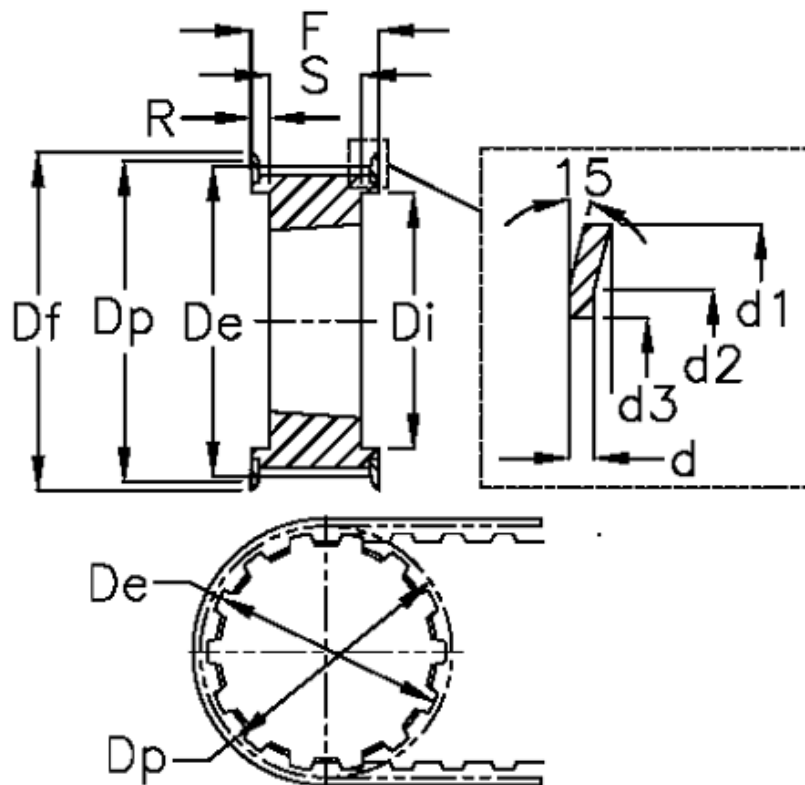
Data Sheet



Article number: 604133056170

Description: Taper bored timing belt pulley
HTD 56 14M 170 TL 3535

Measures



d = 2.5	F = 187	Weight = 28.5
d1 = 256	Flange type = F66	Width = 170
d2 = 240	For bushing = 3535	
d3 = 220	Max bore = 90	
De = 246.76	r = 49	
Df = 256	S = 89	
Di = 208	Tooth number = 56	
Dp = 249.55	Type = 14M	